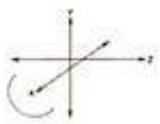


W27 SERIES



WETEC

Specifications

User friendly control with teach-in

- 6 standard programs for easy set up.
- 25 programs for free teaching can be stored.
- Hand held pendant houses a backlight LCD-display.
- Error messages.
- Auto-maintenance instruction requirements following a preset cycles.

X-axis

This X-axis and Y-axis can be turned behind the mold platen for mold changes.

Hydraulic shock absorber for kick stroke movement.

Y-axis

Heavy duty, adjustable shock absorbers.

Anti-drop cylinder for vertical axis.

Stand by position adjustable $\pm 50\text{mm}$

Z-axis

Adjustable $55^\circ\text{--}90^\circ$

Can be adjusted for placing parts to the front or rear of machine.

Gripper

With monitoring and rotation 90°

(Not available for B type)

Vacuum

Vac. Generator with sensor.

(Not available for B type)

Power source

AC110V/220V 50/60Hz

Power consumption

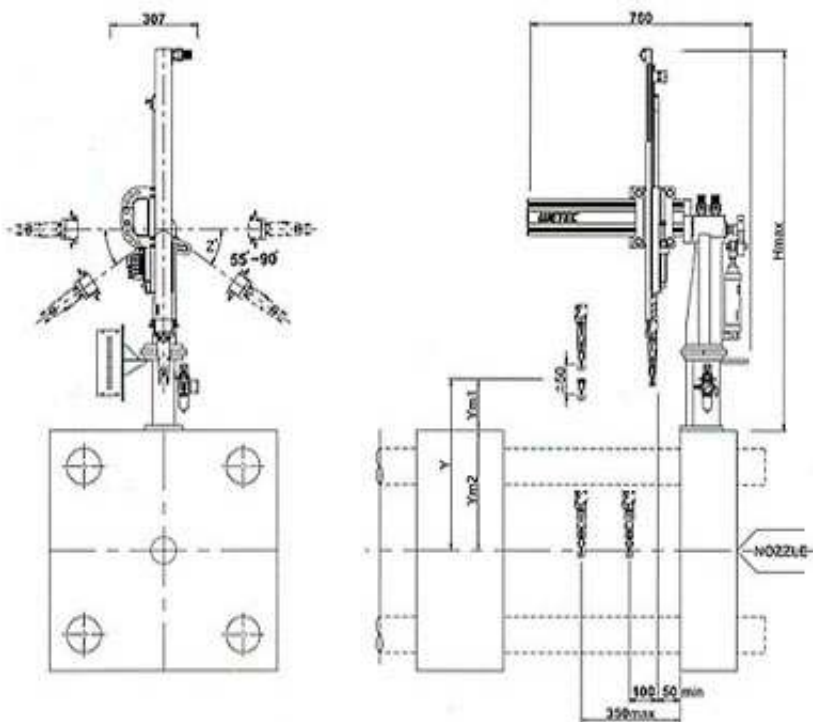
1A 220V MAX

Used Air pressure

4~6kg/cm²

Suitable I.M.M

50~180ton



Mode	Y	YM1	YM2	Hmax
W275B	550	120-220	330-430	1315
W277B	700	120-220	480-580	1465
W275C	550	120-220	330-430	1315
W277C	700	120-220	480-580	1465

WETEC

We Technology Automation Co., Ltd.

No. 50, Hua Ya 1st, Rd., Gueishan, Taoyuan, Taiwan

Tel: (03)397-9588 Fax: (03)397-8768

E-mail : sales2@wetec.com.tw

wetecmi@ms19.hinet.net

Distributor:

A.M. spol. s r.o., Sladovnická 167, 463 11 Liberec

tel: +420 482 750 037

fax: +420 485 163 999

e-mail: info@amcz.cz